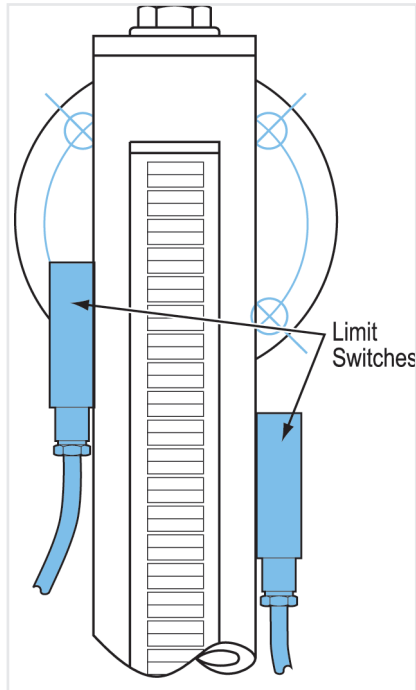


LevelSite® Accessories

Limit Switches

Barksdale offers a line of limit switches that can be positioned on the outside of the LevelSite® housing to activate alarms, pumps, or valves when the fluid reaches a prescribed level. The number of limit switches that can be attached to the LevelSite® is limited only by the available space on the exterior surface of the housing. Switches can be located in any radial position 360° around the housing. This flexibility allows other control components to be mounted at the same level. Limit switches are easily installed with stainless steel clips and a screwdriver. Switches rated for use in hazardous areas are available (an approved safety barrier device may be required).

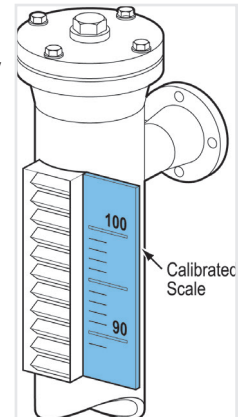


| Limit Switches, SPDT w/ 1 meter cable | |
|---------------------------------------|--|
| Operating Temperature | Contact Rating |
| -67°F to +284°F | 60 VA 0.8 A at 230 VAC 0.8 A at 220 VDC |

| Order No. | Limit Switch |
|-----------|------------------------|
| 0303-031 | GK03 1m PVC cable |
| 0303-028 | GK03 1m Si cable |
| 0303-032 | GK03 3m PVC cable |
| 0303-029 | GK03 3m Si cable |
| 0303-033 | GK03 5m PVC cable |
| 0303-030 | GK03 5m Si cable |
| 0303-035 | GK03-EXI 1m PVC cable |
| 0303-036 | GK03-EXI 5m PVC cable |
| 0303-003 | GKHT1 high temperature |

Indicating Scales

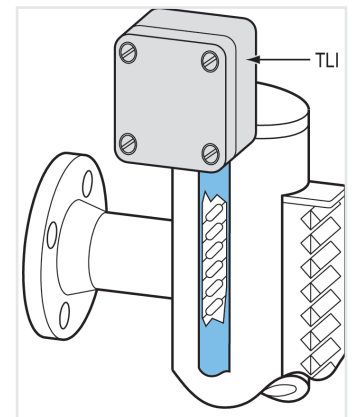
To qualify the visual indication provided by the rotating flags, a calibrated scale can be attached to the flag housing. Standard calibration of the scale is in inches, and custom scale graduations are available. Scales are printed in black letters on white Mylar film and bonded on aluminum backing.



| Part No. | Description |
|----------|--|
| 31850-XX | Printed Mylar scale on aluminum backing ¹ |

Electronic Tank Level Indicators (4-20 mA):

As a supplement to the visual indication provided by a LevelSite®, Barksdale's continuous Tank Level Indicating (TLI) system provides a continuous 4-20 mA output signal, which can be used in remote process controls and indicators. The TLI is mounted externally on the LevelSite® housing with stainless steel clips. Since it does not come in contact with the media, it is easy to maintain and remains accurate and reliable through many years of service.



| Part No. | Description |
|------------|-------------------------------|
| LTIM-30-XX | Tank Level Indicator (4-20mA) |

| Spare Floats | |
|--------------|---|
| Part No. | Description |
| 905-0158 | Stainless Steel float for Mini LevelSite® |
| 905-0179 | Stainless Steel float for LevelSite® ² |
| 905-0188 | Titanium float for LevelSite® ² High pressure float for LevelSite® (Rated to 1,000 psig) |

| Spare Flag Assemblies | |
|-----------------------|------------------------------------|
| Part No. | Description |
| 361155-XX | Ploycarbonate (To 250°F) (MA) |
| 361153-XX | Andonized Aluminum (To 400°F) (A1) |
| 361154-XX | Painted aluminum (To 600°F) (A2) |

LevelSite® Accessories

Features / Description

All GK switches have bi-stable reed contacts. They can be mounted in any position around the tube of a magnet-controlled level indicator with stainless steel clamps, however the cable direction should preferably be downward. The magnet system in the float will switch over the contact whenever the switch is passed. This permits an arbitrary arrangement of many switches on the tube surface without the switches disturbing each other.

The switch position must be checked before installation; it can be set with a ring magnet or the float.

The switch hysteresis depends on the distance to the magnet system in the float and is smallest when the switches are installed closely along the indication rail.

Applications

Limit value measuring on magnetically controlled level indicators



General Specifications*

| | |
|---|--|
| Housing: GK 03: GK HT1: | 1.4305 and M 16 x 1.5 cable gland Aluminum, 65x65x40 mm and PG 9 Cable gland |
| Cable: GK 03: | Silicone 3 x 0.5 mm ² , length 1.3 m or 5 m, or PVC 3 x 0.34 mm ² other lengths or versions on request |
| Protection class: | IP 65 |
| Switching power: GK 03: | 220 V AC / 1.0 A / 60 VA, 220 V AC / 1.0 A / 40 VA, |
| Temperature range: GK 03: GK HT1: | -67 °F... +284 °F (-55 °C... +140 °C) -67 °F... +662 °F (-55 °C... +350 °C) |
| Option: GK 03: | Grounding clip |
| Approvals: GK 03: | EX II GD EEx ia IIC T6 / ISSeP03ATEX119X |

Order Numbers

| Order No. | Limit Switch |
|-----------|------------------------|
| 0303-031 | GK03 1m PVC cable |
| 0303-028 | GK03 1m Si cable |
| 0303-032 | GK03 3m PVC cable |
| 0303-029 | GK03 3m Si cable |
| 0303-033 | GK03 5m PVC cable |
| 0303-030 | GK03 5m Si cable |
| 0303-035 | GK03-EXI 1m PVC cable |
| 0303-036 | GK03-EXI 5m PVC cable |
| 0303-003 | GKHT1 high temperature |

Technical Drawing

