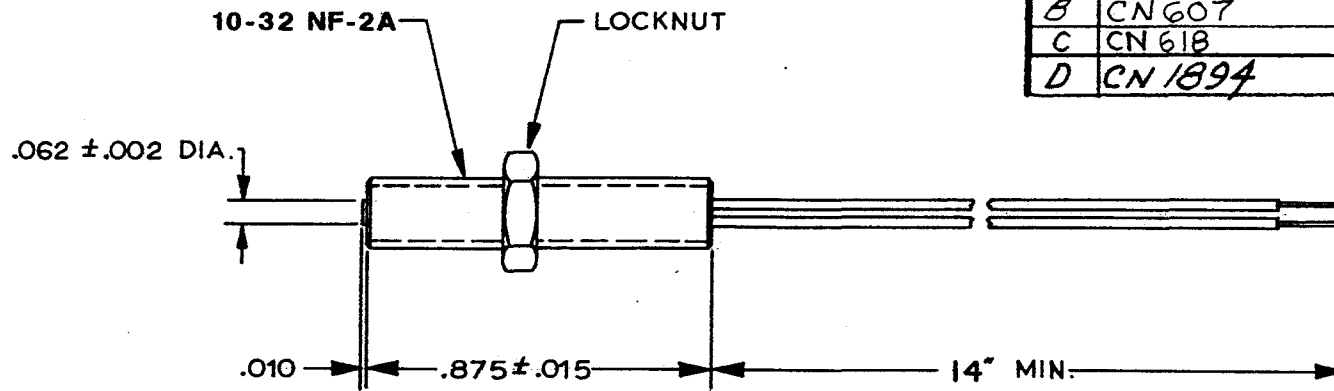


REVISIONS

| LTR | DESCRIPTION | DATE | APPD |
|-----|-------------|---------|------|
| A | CN 598 | 1-10-85 | JAC |
| B | CN 607 | 3/2/85 | JAC |
| C | CN 618 | 4-11-85 | JAC |
| D | CN 1894 | 4-18-95 | JAC |



| TEMPERATURE RANGE | OUTPUT VOLTAGE (SEE NOTE 1) | DC RESISTANCE AT 75°F | INDUCTANCE AT 1 KHZ | OUTPUT LEADS (SEE NOTE 2) | INSUL. RESISTANCE AT 500VDC | NET WEIGHT |
|-------------------|-----------------------------|-----------------------|---------------------|---------------------------|----------------------------------|------------|
| -65°F to +225°F | 10-14 V p-p | 130-170 OHMS | 5 MH NOM | AWG NO. 30 | 100 MEGOHMS MIN. COIL TO HOUSING | OZ. AVG. |

NOTES:

- TESTED AT 1000 INCHES/SECOND WITH A 20 PITCH, 30 TOOTH GEAR, 0.005" CLEARANCE AND 100,000 OHM LOAD SHUNTED BY 250 PF.
- WITH APPROACH OF FERROUS METAL, WHITE LEAD IS POSITIVE WITH RESPECT TO BLACK LEAD.

CONSTRUCTION:

HOUSING— 304 STAINLESS STEEL
 POLE PIECE— 416 STAINLESS STEEL
 POTTING — EPOXY RESIN

| | | |
|--|-------------------------|--------|
| UNLESS OTHERWISE SPECIFIED DIMENSIONS ARE IN INCHES TOLERANCES ARE | | |
| FRACT. | DEC. | ANGLES |
| ± 1/64 | .XXX ± .005 XX ± .01 | ± 1/2° |

MATERIAL:

FINISH:

DYNALCO® CORPORATION
 FORT LAUDERDALE, FLORIDA

| | | | |
|----------|--------------------|------|----------|
| DRAWN | <i>[Signature]</i> | DATE | 12-11-80 |
| APPROVED | <i>[Signature]</i> | | 12/11/80 |

TITLE
 MAGNETIC PICKUP MODEL M143

| | | | |
|-------|------|----------------|------|
| SCALE | SIZE | DRAWING NUMBER | REV. |
| 2:1 | A | 8000143 | D |

DO NOT SCALE THIS DRAWING